



800 Series

800 Series

**INDICATING TEMPERATURE CONTROLS
AND THERMOMETERS**



FEATURES

- **Temperature Indication and Control**
- **Single or Dual SPDT Output**
- **Stainless Steel Bulb and Capillary**
- **± 1% Repeatability**
- **NEMA 1, 4, and Explosion Proof Versions**
- **Temperature Ranges:
-180 to 650°F (-117 to 340°C)**



**UNITED ELECTRIC
CONTROLS**

Uncontrolled / Printed

OVERVIEW

For applications that require a visual display of process temperature and set point, the 800 Series offers a highly readable four inch setting/indication scale. It is available in two versions: a Lexan enclosure for NEMA 1 or 4 applications with option M300, and an epoxy-coated aluminum enclosure for Div. 1 explosion-proof applications. For temperature indication only, the T800 thermometer incorporates the same performance and construction features of the 800 Series.

800's are controlling and indicating the temperatures of food service appliances, ovens, packaging machines and HVAC equipment as well as other temperature applications within plants.

FEATURES

- Temperature indication and control switching
- Single or dual SPDT output
- Stainless steel bulb & capillary
- $\pm 1\%$ repeatability
- NEMA 1, 4, and explosion proof versions
- Temperature ranges:
-180 to 650°F (-117 to 340°C)



SPECIFICATIONS

STORAGE TEMPERATURE	-65 to 160°F (-54 to 71 °C)
AMBIENT TEMPERATURE LIMITS	-40 to 160°F (-40 to 71 °C); set point typically shifts less than 1% of range for a 50°F (28°C) ambient temperature change
SET POINT REPEATABILITY	± 1% of adjustable range
SHOCK	Set point repeats after 15 G, 10 millisecond duration
VIBRATION	Set point repeats after 2.5 G, 5-500 Hz
ENCLOSURE	Lexan®, black finish; clear Lexan faceplate (types 800, 802, T800). Die cast aluminum, epoxy coated enclosure, gasketed (types 820E, 822E)
ENCLOSURE CLASSIFICATION	Designed to meet NEMA 1 requirements; NEMA 4 by specifying option M300
INDICATION ACCURACY	± 1% of adjustable range
SWITCH OUTPUT	One or two SPDT; dual switch may be separated up to 100% of range. Switches may be wired "normally open" or "normally closed"
DUAL SWITCH ADJUSTMENT	802: Dual switch controls have separate knob & temperature pointers for each switch set point (standard); turn inner green knob for setting #1 switch; outer black knob for switch #2; common adjustment available with type 822E: switch #2 can be set up to 25% of range span below the switch #1 set point
ELECTRICAL RATING	15 A 125/250/480 VAC resistive
WEIGHT	Approx. 3 lbs., 4 oz. (1,47 kg) (types 800, 802, T800), Approx. 7 lbs (3.18 kg) (types 820E, 822E)
ELECTRICAL CONNECTION	Types 800, 802: 7/8" diameter knockout on left hand side; 18 AWG color-coded leadwires, approx. 9 inches exposed with strain relief (option M100 adds terminal block wiring). Types 820E, 822E: terminal block wiring
BULB AND CAPILLARY	6 feet 304 stainless steel
TEMPERATURE FILL	Model 1BS: solvent filled; models 2-8: non-toxic oil filled
TEMPERATURE DEADBAND	Typically 1% of range under laboratory conditions (70°F ambient circulating bath at rate of 1/2°F per minute change)

APPROVALS



UL listed Types 800, 802, UL 873, file # E10667, Types 820E, 822E: UL 873, 1203 file # E43374
CSA certified C22,2 no., 24, 25, 30, file # LR7814
CE Compliance with Low Voltage Directive (LVD)

Types 820E & 822E:

Class I, Divisions 1 & 2 Groups B, C and D; **Class II**, Divisions 1 & 2, Groups E, F and G;
Class III

CENELEC flame proof construction, per EEx d IIC T6 CENELEC approval, EN 50 014/EN50 018 (Specify Option "Q")

SAA Ex d IIC T6, IP66, Class 1, Zone 1 AS 2380.2 and AS 1939 (Available from UE Australia; Specify Option M416)

TEMPERATURE MODEL CHART

Model	Stock #					Adjustable Set Point Range		Max. Temp.		Scale Div		Bulb Size
	800	802	T800	820E	822E	°F	°C	°F	°C	°F	°C	OD x Length
Bulb & Capillary												
1BS	–	–	NA	–	–	-180 to 120	-115 to 50	170	75	5	5	3/8 x 3 3/4"
2BS	–	–	–	–	–	-125 to 350	-85 to 175	400	200	10	5	3/8 x 2 5/8"
3BS	–	–	–	–	–	-125 to 500	-85 to 260	550	285	10	5	3/8 x 2 1/8"
4BS	–	–	–	–	–	-40 to 120	-40 to 50	170	75	5	2	3/8 x 6 3/4"
5BS	–	–	–	–	–	-40 to 180	-40 to 80	230	110	5	2	3/8 x 5"
6BS	9053	9124	–	–	–	0 to 250	-15 to 120	300	145	5	2	3/8 x 4 1/2"
7BS	9059	–	–	–	–	0 to 400	-15 to 200	450	230	10	5	3/8 x 3"
8BS	9066	–	–	–	–	50 to 650	10 to 340	700	370	10	10	3/8 x 3 1/4"

HOW TO ORDER

BUILDING A PART NUMBER

Select a Type

Refer to the "Type" section below.

Determine type number based on switch output, enclosure, adjustment and reference.

Fill in the type portion of your part number with the corresponding number.

Select a Model

Refer to the "Model Charts".

Determine model or stock number based on adjustable range.

Fill in the model portion of your part number with the corresponding number.

Select an Option

Refer to the "Options" section.

Determine option number based on switch output, optional materials or other product enhancements.

Fill in the option portion of your part number with the corresponding number.

Leave "option" portion blank if no options are needed. FOR MULTIPLE OPTIONS: Call United Electric Controls.

TYPE

TEMPERATURE

Type 800 - Bulb and capillary; one SPDT output; external indication
 Type 802 - Bulb and capillary; two SPDT outputs; external indication
 Type 820E - Bulb and capillary; one SPDT output; external indication, explosion proof
 Type 822E - Bulb and capillary; two SPDT outputs; external indication, explosion proof
 Type T800 - Thermometer only with external indication

OPTIONS

SWITCH OPTIONS

DESCRIPTION

0500 Close deadband, 5 A 125/250 VAC resistive. NOT AVAILABLE TYPE T800
 2000 20 A 125/250 VAC resistive. NOT AVAILABLE TYPE T800

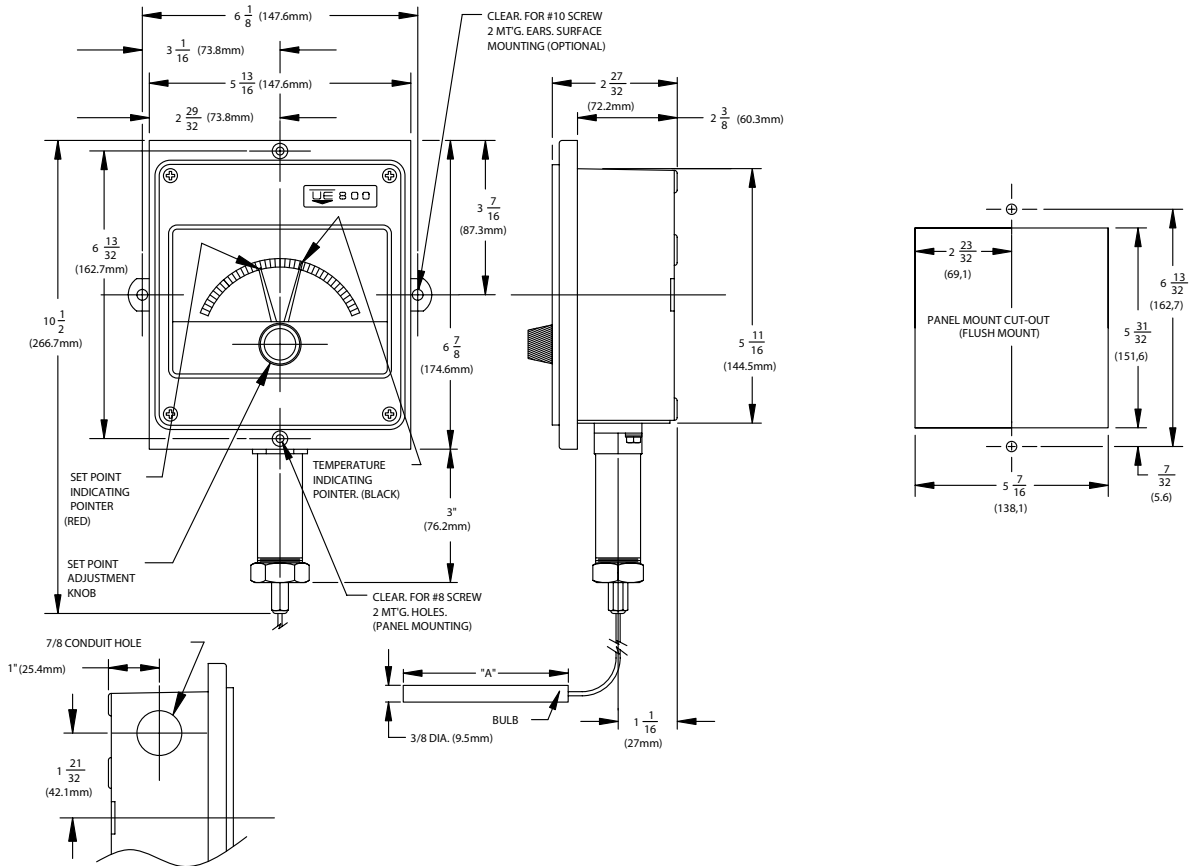
OTHER OPTIONS

M007 Drilled 7/8" electrical opening on right side. NOT AVAILABLE TYPES 820E, 822E and T800
 M100 Terminal block wiring. NOT AVAILABLE TYPE 820E, 822E AND (standard) T800
 M201 Factory set one switch; specify increasing or decreasing temperature and set point
 M202 Factory set two switches; specify increasing or decreasing temperature and set point. NOT AVAILABLE SINGLE SWITCH VERSIONS

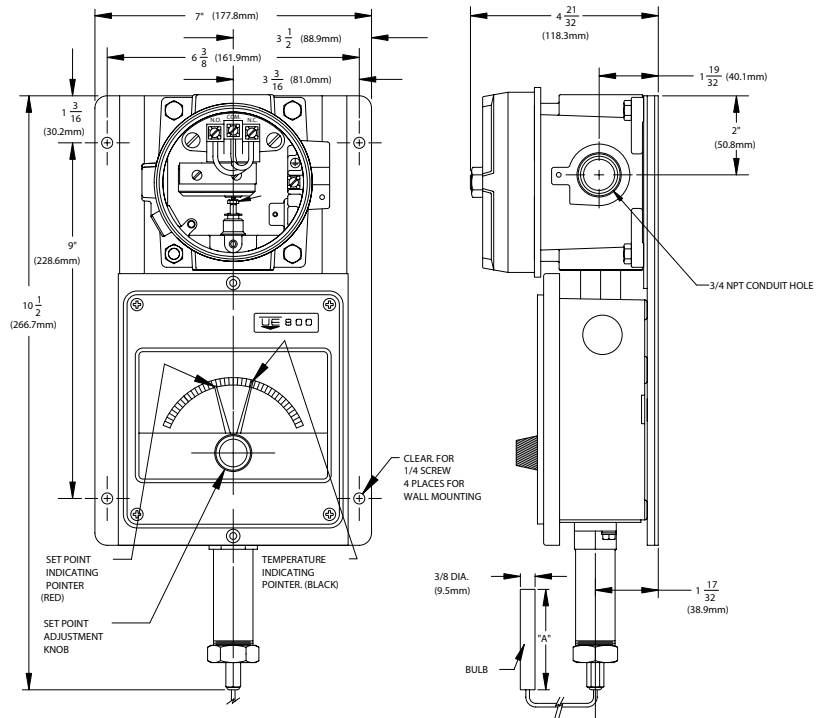
M300 NEMA 4 construction; includes watertight conduit fitting and gasketing. NOT AVAILABLE TYPE 820E, 822E
 M320 Tamper resistant cover. NOT AVAILABLE TYPES T800
 M444 Paper ID tag
 M446 Stainless steel ID tag & wire attachment (*attachment location will vary depending on product*)
 M900 Watertight conduit fitting; converts 7/8" hole to 1/2" NPT fitting. NOT AVAILABLE TYPES 820E, 822E
 "Q" CENELEC flameproof construction EEx d IIC T6 @ 71 °C per EN 50 014/50 018. AVAILABLE TYPES 820E, 822E

DIMENSIONAL DRAWINGS

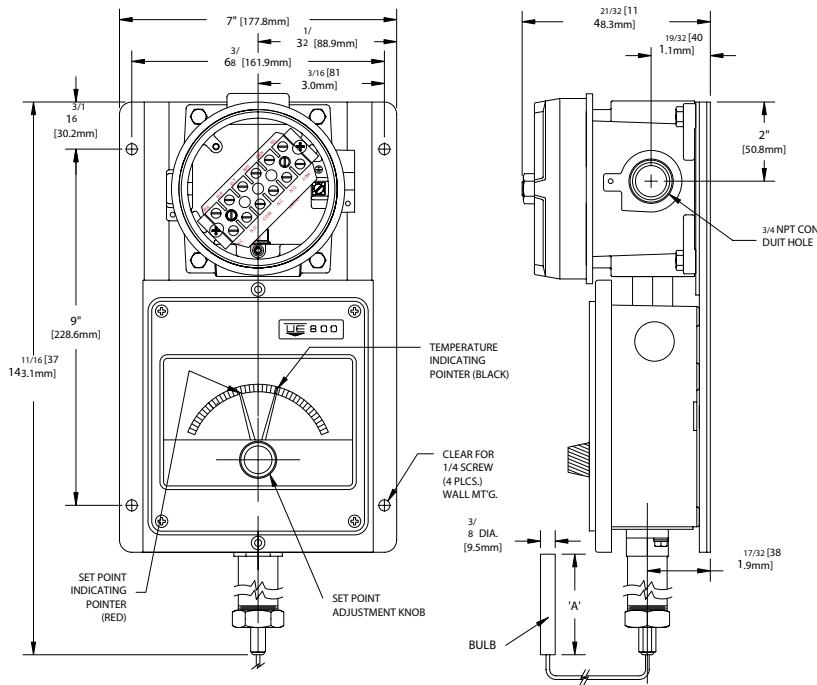
800 Series Set Point Adjustment via Reference Dial



820 E



822 E



RECOMMENDED PRACTICES AND WARNINGS

United Electric Controls Company recommends careful consideration of the following factors when specifying and installing UE pressure and temperature units. Before installing a unit, the Installation and Maintenance instructions provided with unit must be read and understood.

- To avoid damaging unit, proof pressure and maximum temperature limits stated in literature and on nameplates must never be exceeded, even by surges in the system. Operation of the unit up to maximum temperature is acceptable on a limited basis (i.e., start-up, testing) but continuous operation must be restricted to the designated adjustable range. Excessive cycling at maximum temperature limits could reduce sensor life.
- A back-up unit is necessary for applications where damage to a primary unit could endanger life, limb or property. A high or low limit switch is necessary for applications where a dangerous runaway condition could result.
- The adjustable range must be selected so that incorrect, inadvertent or malicious setting at any range point cannot result in an unsafe system condition.
- Install unit where shock, vibration and ambient temperature fluctuations will not damage unit or affect operation. Orient unit so that moisture does not enter the enclosure via the electrical connection. When appropriate, this entry point should be sealed to prevent moisture entry.
- Unit must not be altered or modified after shipment. Consult UE if modification is necessary.
- Monitor operation to observe warning signs of possible damage to unit, such as drift in set point or faulty display. Check unit immediately.
- Preventative maintenance and periodic testing is necessary for critical applications where damage could endanger property or personnel.
- For all applications, a factory set unit should be tested before use.
- Electrical ratings stated in literature and on nameplate must not be exceeded. Overload on a switch can cause damage, even on the first cycle. Wire unit according to local and national electrical codes, using wire size recommended in installation sheet.
- Use only factory authorized replacement parts and procedures.
- Do not mount unit in ambient temp. exceeding published limits.

LIMITED WARRANTY OF REPAIR AND REPLACEMENT

Seller warrants that the product hereby purchased is, upon delivery, free from defects in material and workmanship and that any such product which is found to be defective in such workmanship or material will be repaired or replaced by Seller (F.O.B. UE Watertown); provided, however, that this warranty applies only to equipment found to be so defective within a period of 18 months from the date of manufacture by the Seller (36 months for the Spectra 12 and One Series products). Seller shall not be obligated under this warranty for alleged defects which examination discloses are due to tampering, misuse, neglect, improper storage, and in any case where products are disassembled by anyone other than authorized Seller's representatives.

EXCEPT FOR THE LIMITED WARRANTY OF REPAIR AND REPLACEMENT STATED ABOVE, SELLER DISCLAIMS ALL WARRANTIES WHATSOEVER WITH RESPECT TO THE PRODUCT, INCLUDING ALL IMPLIED WARRANTIES OF MERCHANTABILITY OR FITNESS FOR ANY PARTICULAR PURPOSE.

LIABILITY LIMITATION

SELLER'S LIABILITY TO BUYER FOR ANY LOSS OR CLAIM, INCLUDING LIABILITY INCURRED IN CONNECTION WITH (I) BREACH OF ANY WARRANTY WHATSOEVER EXPRESSED OR IMPLIED, (II) A BREACH OF CONTRACT, (III) A NEGLIGENT ACT OR ACTS (OR NEGLIGENT FAILURE TO ACT) COMMITTED BY SELLER, OR (IV) AN ACT FOR WHICH STRICT LIABILITY WILL BE IMPUTED TO SELLER, IS LIMITED TO THE LIMITED WARRANTY OF REPAIR AND REPLACEMENT STATED HEREIN. IN NO EVENT SHALL THE SELLER BE LIABLE FOR ANY SPECIAL, INDIRECT, CONSEQUENTIAL OR OTHER DAMAGES OF A LIKE GENERAL NATURE, INCLUDING, WITHOUT LIMITATION, LOSS OF PROFITS OR PRODUCTION, OR LOSS OR EXPENSES OF ANY NATURE INCURRED BY THE BUYER OR ANY THIRD PARTY.

UE specifications subject to change without notice.

U.S. SALES OFFICES

United Electric Controls
32 Highland Rd.
South Hampton, NH 03827
Phone: 603-394-0078
FAX: 603-394-0175

United Electric Controls
28 N. Wise Ave.
Freeport, IL 61032
Phone: 815-235-3501
FAX: 815-235-3847

United Electric Controls
1022 Vineyard Drive
Conyers, GA 30013
Phone: 770-483-8400
FAX: 770-929-8716

United Electric Controls
5829 Grazing Court
Mason, OH 45040
Phone: 513-398-3175
FAX: 513-398-3076

United Electric Controls
19335 Hadley
Stilwell, KS 66085
Phone: 913-685-2775
FAX: 913-685-2774

United Electric Controls
1753 Beach Street
San Francisco, CA 94123
Phone: 415-563-5811
FAX: 415-563-5909

INTERNATIONAL OFFICES

AUSTRALIA
United Electric Controls
(Australia) PTY Ltd
Unit 2, 615 Warrigal Road
Locked Bag 600
Ashburton, Victoria
3147, Australia
Phone: 613-9567-0750
FAX: 613-9567-0755

BELGIUM
United Electric Controls-Europe
G. Van Gervenstraat 19A
B-9120 Beveren-Waas, Belgium
Phone: 32-37554-383
FAX: 32-37552-747

CANADA
United Electric Controls
(Canada) Ltd
5320 Bradco Boulevard
Mississauga, Ontario
L4W 1G7 Canada
Phone: 905-625-5082
FAX: 905-625-5709

GERMANY
United Electric Controls
An Der Zentlinde 21
D-64711 Erbach, Germany
Phone: 496-062-7400
FAX: 496-062-7501

INDIA
United Electric Controls
Amar Hill, Saki Vihar Road
Powai, Mumbai 400 072
Phone: 91-22-857-6921
FAX: 91-22-857-1707

MALAYSIA
United Electric Controls, Far East
No. 1-2-2, 2nd Floor
Jalan 4/101C
Cheras Business Centre
Batu 5, Jalan Cheras
56100 Kuala Lumpur, Malaysia
Phone: 603-9133-4122
FAX: 603-9133-4155

MEXICO
United Electric Controls
Chihuahua 129-1 NTE
Unidad Nacional 89410
Madero, TAM
Mexico
Phone: 52-833-210-0646
FAX: 52-833-210-5761



UNITED ELECTRIC
CONTROLS

180 Dexter Avenue, P.O. Box 9143
Watertown, MA 02471-9143 USA
Telephone: 617 926-1000 Fax: 617 926-2568
<http://www.ueonline.com>

EMCO50001201